

5.2 Dimensions sheet Vario C

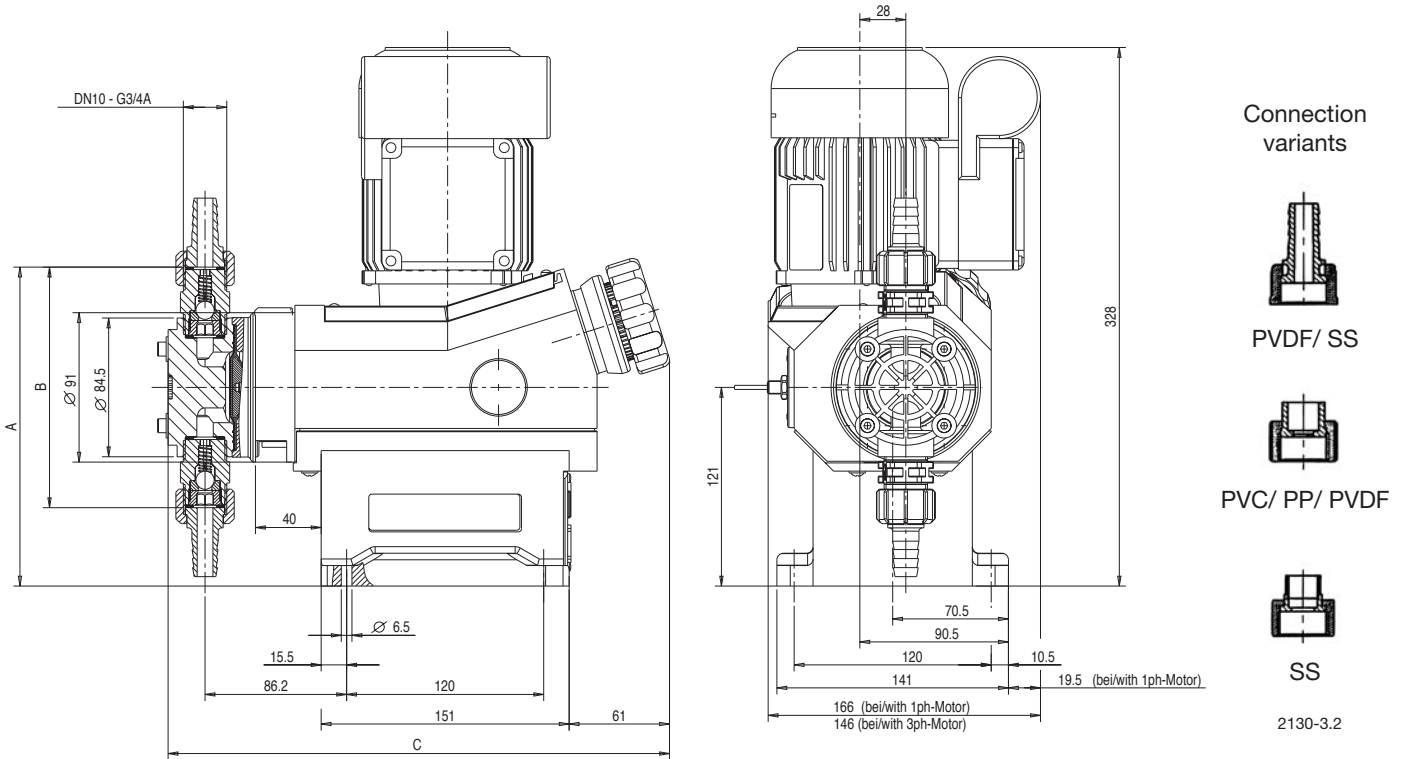


Fig. 9

Dimensions Vario C (in mm)

Material version	A	B	C
PVT	194	147	305
SST	192	143	300

Temperature details

Admissible storage temperature: - 10 to +50 °C

Admissible ambient temperature: - 10 to +40 °C

Temperature resistance of the material versions:

Material,	long term, at max. back pressure	short term, max. 15 min at max. 2 bar
PVT	50 °C	100 °C
SST	50 °C	120 °C

Short term higher temperatures (see above) are admissible e.g. for sterilization or flushing with hot water

Climate

Admissible humidity: 92 % vol. humidity, non condensing